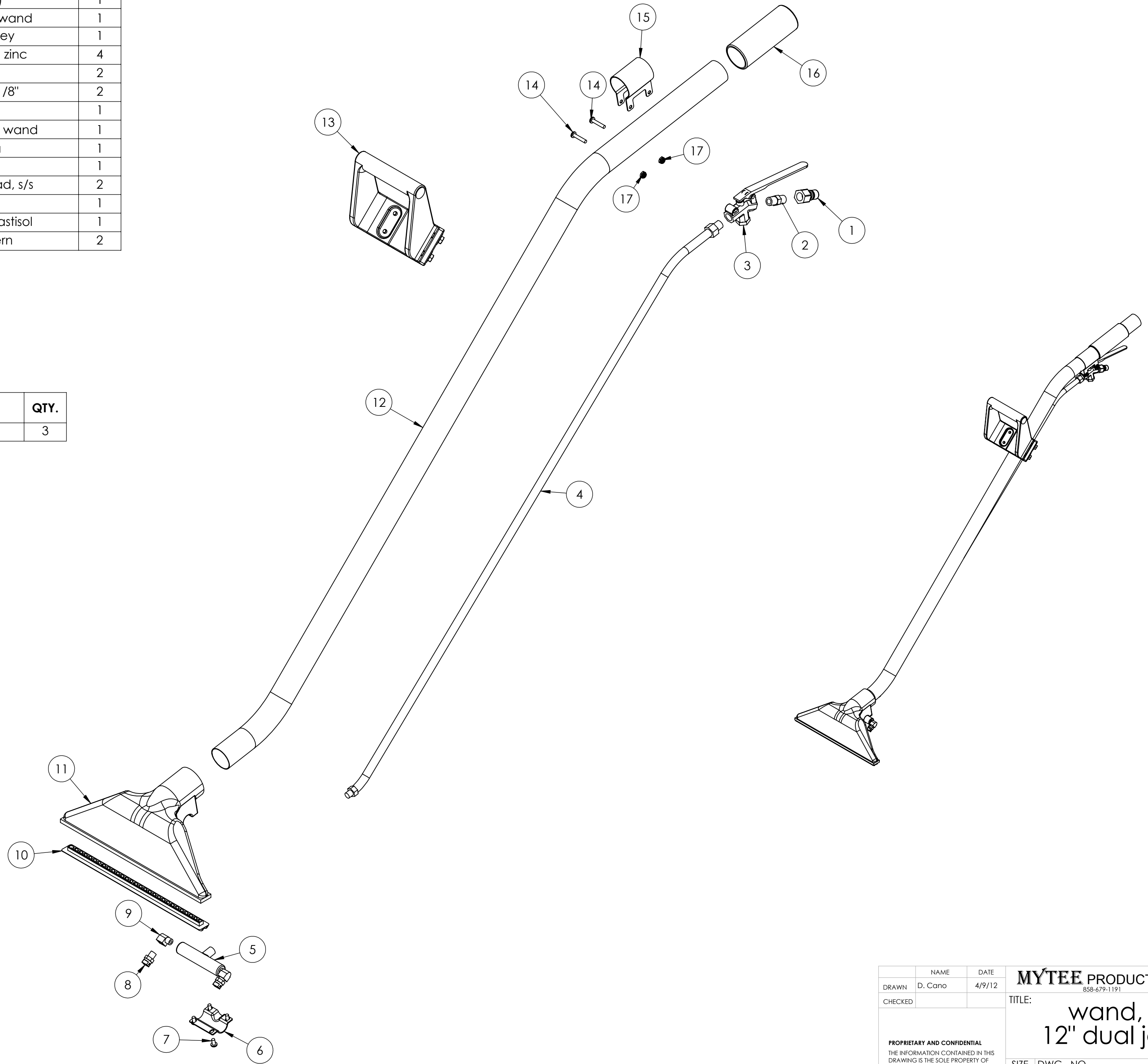


ITEM NO.	PART NO.	DESCRIPTION	QTY.
1	B101	qd, brass, 1/4" m	1
2	B107	nipple, brass, 1/4"m, hex	1
3	B133-B	angle valve, w/lever, 1200psi	1
4	AH109	sol hose, 1/4" x 44" (OAL)	1
5	H373	manifold, solution, 12 in, 1 1/2" wand	1
6	H851	clamp, jet manifold, bentley	1
7	H087	screw, 10-24 x 3/8", phil pan, zinc	4
8	B114A	jet, brass, 1/8", vv 11002	2
9	B143	street elbow, 90 degrees, 1/8"	2
10	H085	glide, 12", stainless	1
11	H783	manifold, 12" vacuum, for 1.5" wand	1
12	H335	tube, s-bend, 1 1/2" dia	1
13	H785	grip, 1.5" dia, wand	1
14	H231	screw, 10-32 x 1" phil pan head, s/s	2
15	H334	clamp, valve, 1.5"	1
16	G049A	comfort sleeve, 1 1/2" dia, plastisol	1
17	H458	nut, lock, 10-32, thin pattern	2

ITEMS NOT SHOWN

PART NO.	DESCRIPTION	QTY.
G102	gasket, cork, 3/4" X 3", 1/8" thick	3



	NAME	DATE	MYTEE PRODUCTS, INC. 858-679-1191	
DRAWN	D. Cano	4/9/12	TITLE: wand, 12" dual jet	
CHECKED			SIZE DWG. NO.	REV
<small>PROPRIETARY AND CONFIDENTIAL THE INFORMATION CONTAINED IN THIS DRAWING IS THE SOLE PROPERTY OF MYTEE PRODUCTS, INC. ANY REPRODUCTION IN PART OR AS A WHOLE WITHOUT THE WRITTEN PERMISSION OF MYTEE PRODUCTS, INC. IS PROHIBITED.</small>			C	A
			SCALE: 1:4.5	DO NOT SCALE DRAWING